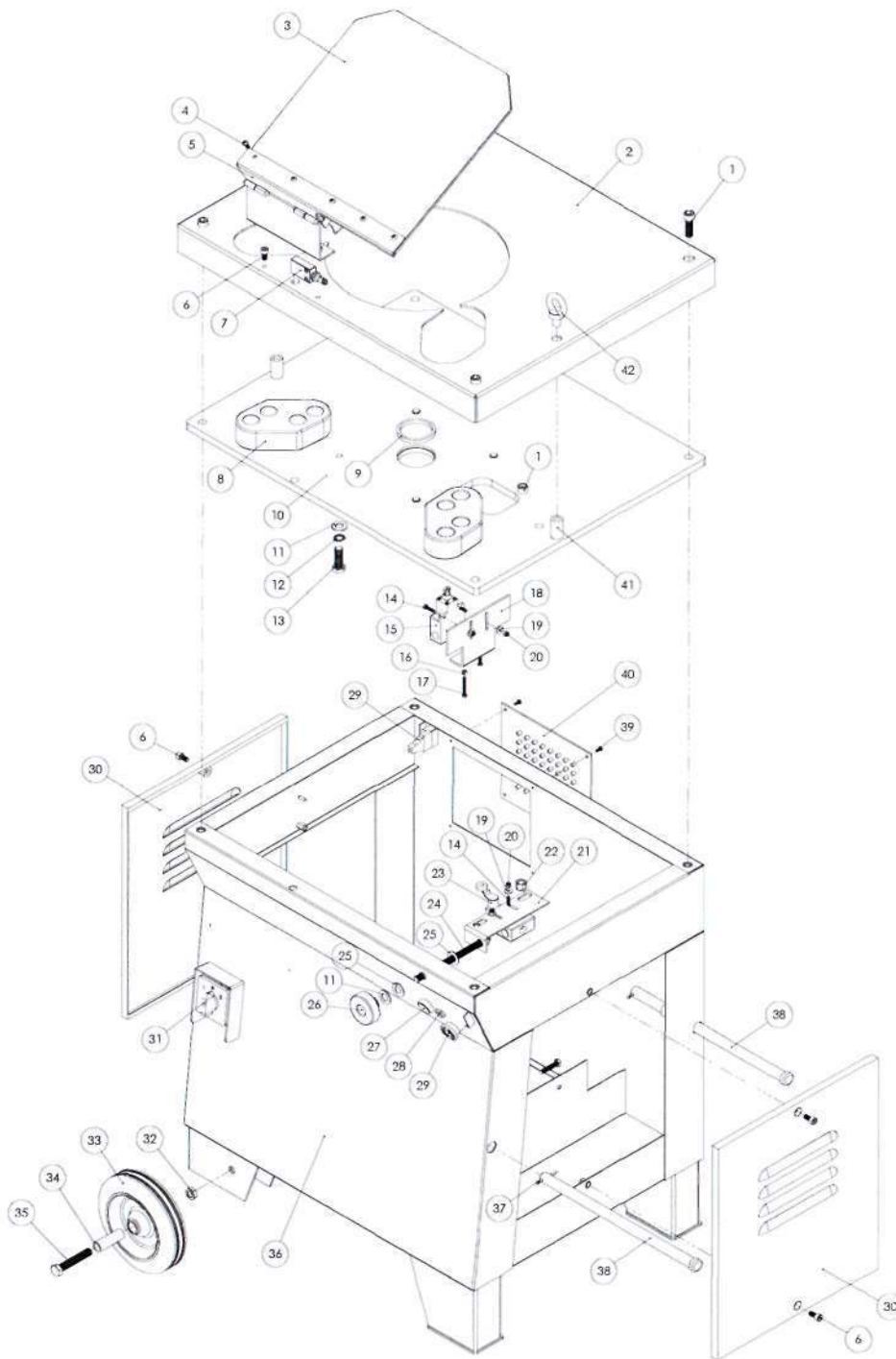


Ref	Code	Description	Qt.	Des.	Kg
1	400169/1	INVERSION PIN	1	10640	0.02
2	5011207	FLAT SPRING 12x20	2		0.013
3	400538/1	BENDING DISC	1	10640	21.95
4	40032-002	BENDING DISC (PF32-N)	1	12372	27.8
5	40026.021	RING for OIL SEAL	1	11624	0.28
6	4130012	OIL SEAL 60x80x8	1		0.03

Ref	Code	Description	Qt.	Des.	Kg
7	412071	BEARING 62/12 2RS	1		0.82
8	400509	SHAFT KEY	2	10664	0.03
9	400512	SHAFT	1	11748	3.70
10	4141205	KEY 12x8x40	1		0.03
11	40026.013	GEAR CASING	1	11613	23.1
12	5060002	CILINDRIC COVER	2		0.04
13	5080005	ROVE 1/2" GAS	2		0.002
14	5070003	ALUMINIUM OIL LEVEL	1		0.04
15	5011011	SCREW 10x30	1		0.03
16	5031002	INSERT GROWER D10	1		0.002
17	400246	WASHER D10	2		0.04
18	400153	REDUCER PULLEY	1	10642	5.67
19	4130005	OIL SEAL 30x56x10	1		0.02
20	4150017	SFFGER 30 E	1		0.00
21	412061	BEARING 6206 2RS	2		0.20
22	4150007	SEEGER 62 I	2		0.01
23	4140801	KEY 8x7x40	1		0.02
24	40035.010	PINION FIRST PAIR	1	11681	0.66
25	412058	BEARING 6304 2RS	1		0.15
26	40035.013	CROWN FIRST PAIR	1	11684	0.72
27	40035.011	PINION SECOND PAIR	1	11682	0.35
28	4140805	LITTLE KEY 8x7x18	1	12447	0.01
29	412060	BEARING 6305 2RS	1		0.24
30	40035.012	PINION THIRD PAIR	1	11683	0.84
31	4141001	LITTLE KEY 10x8x20	1		0.01
32	40035.014	CROWN SECOND PAIR	1	11685	1.95
33	412067	BEARING 6309 2RS	1		0.85
34	4150005	SFFGER 100 I	1		0.04
35	40026.022	CROWN RING	1	11625	0.10
36	40035.015	CROWN THIRD PAIR	1	11686	8.33
37	4150006	SFFGER 42 E	1		0.01
38	5091207	PIN 12x30	3		0.03
39	412059	BEARING 6305	1		0.24
40	412057	BEARING 6304	1		0.14
41	5021002	NUT M10 SP=6	2		0.006
42	5011034	POINTED SPRING 10x20	2		0.010
43	5010819	SCREW TE 8x35	11		0.02
44	5030802	WASHER GROWER DB	12		0.001
45	40026.014	CASING COVER	1	11615	7.67
46	5040401	COTTER PIN 4x40	2		0.004
47	400538	PIVOT FRAME MOTOR	1	10078	0.22
48	40026.002	MOTOR FRAME	1	11794	2.46
49	5011409	SCREW TE 14x80	1		0.11
50	5011432	SCREW TE 14x90	1		0.12
51	5021402	NUT M14	1		0.03
52	5010803	SCREW TE 8x30	4		0.02
53	5030801	WASHER DB	4		0.00
54	5020801	NUT M8	4		0.007
55	4170019	BELT A35	2		0.1
56	5010802	SCREW TE 8x25	1		0.01
57	4200043	MOTOR KW 1.5	1		15.9
58	400111	MOTOR PULLEY	1	12450	0.58
59	4200019	AUTOBRAKING MOTOR KW 1.5	1		23.6
60	400026.24	MOTOR PULLEY	2	10928	1.01
61	4200012	AUTOBRAKING MOTOR KW 1.5	1		16.6
62	4200021	AUTOBRAKING MOTOR KW 1.1	1		22.3
63	40026.026	MOTOR PULLEY	1	12462	1.17

PER ORDINARE | RICAMBE: A) MODELLO MACCHINA - B) NUMERO TAVOLA - C) NUMERO CODICE
 HOW TO ORDER: A) MACHINE MODEL - B) TABLE NUMBER - C) CODE NUMBER

TECMOR **REDUCTION GEAR** Des. **12461**
PG35 ; PF28 ; PF32 ; PF32-N Date: **7.10.11**



Ref	Code	Description	Qt.	Des	Kg
1	5011205	SCREW TCE 12x40	5		0.05
2	400133/1	WORKING PLANE	1	10841	16.02
3	400202/1	PLEXIGLASS PROTECTION	1	10932	1.13
4	5010607	SCREW TRCF 6X16	5		0.004
5	400199	SUPPORT FOR PLEXIGLASS PROTECTION	1	12173	1.59
6	5010807	SCREW TCE 8x15	6		0.01
7	5352090	PROTECTION LIMIT SWITCH	1		0.06
8	400125	SQUARE SUPPORT	2	10750	3.94
9	4130025	SCRAPER RING	1		0.06
10	400547	PLATE	1	11186	51.41
11	5031403	WASHER 14	5		0.008
12	5031401	WASHER CROWER D14	4		0.004
13	5011423	SCREW TE 14x40	4		0.069
14	5010503	SCREW TE 5X20	4		0.004
15	5350030	STOP LIMIT SWITCH	1		0.21
16	5020501	NUT M5	2		0.002
17	5010513	SCREW TE 5X40	2		0.007
18	400124	LIMIT SWITCH PLATE	1	11377	0.45
19	5030504	WASHER Ø5	4		0.001
20	5020502	SELF-BLOCKING BOLT M5	4		0.002
21	400110/1	LIMIT SWITCH PLATE	1	10680	0.24
22	5021203	SELF BLOCKING BOLT M12	2		0.021
23	5350031	RETURN LIMF-SWITCH	1		0.25
24	400130/1	THREADED ROD ADJUSTMENT	1	11889	0.16
25	5141401	THRUST SPRING	2		0.004
26	5330002	HANDLE	1		0.26
27	5350020	RETURN SWITCH (black)	1		0.02
28	5350045	LAMP	1		0.01
29	5350019	EMERGENCY STOP SWITCH	2		0.10
30	400190/1	DOOR	2	10817	2.70
31	5350029	REVERSE SWITCH 3x16A	1		0.27
32	5021402	NUT M14	2		0.014
33	5100004	WHEEL Ø200	2		1.2
34	5100006	WHEEL TUBE REDUCTION	2	11733	0.07
35	5011409	SCREW TE 14x80	2		0.112
36	400207/1	FRAME	1	10854	37.33
37	5040401	COTTER PIN 4x40	2		0.004
38	400107	LIFTING ROD	2	10286	1.00
39	5010407	SCREW 4x10	4		0.002
40	400190/2	BACK SHEET FRAME	1	11674	1.00
41	400105/2	EYEBOLT ATTACHMENT	2	11198	0.10
42	5011403	EYEBOLT M14	2		0.15

PER ORDINARE I RICAMBI: A) MODELLO MACCHINA - B) NUMERO TAVOLA - C) NUMERO CODICE
 HOW TO ORDER: A) MACHINE MODEL - B) TABLE NUMBER - C) CODE NUMBER

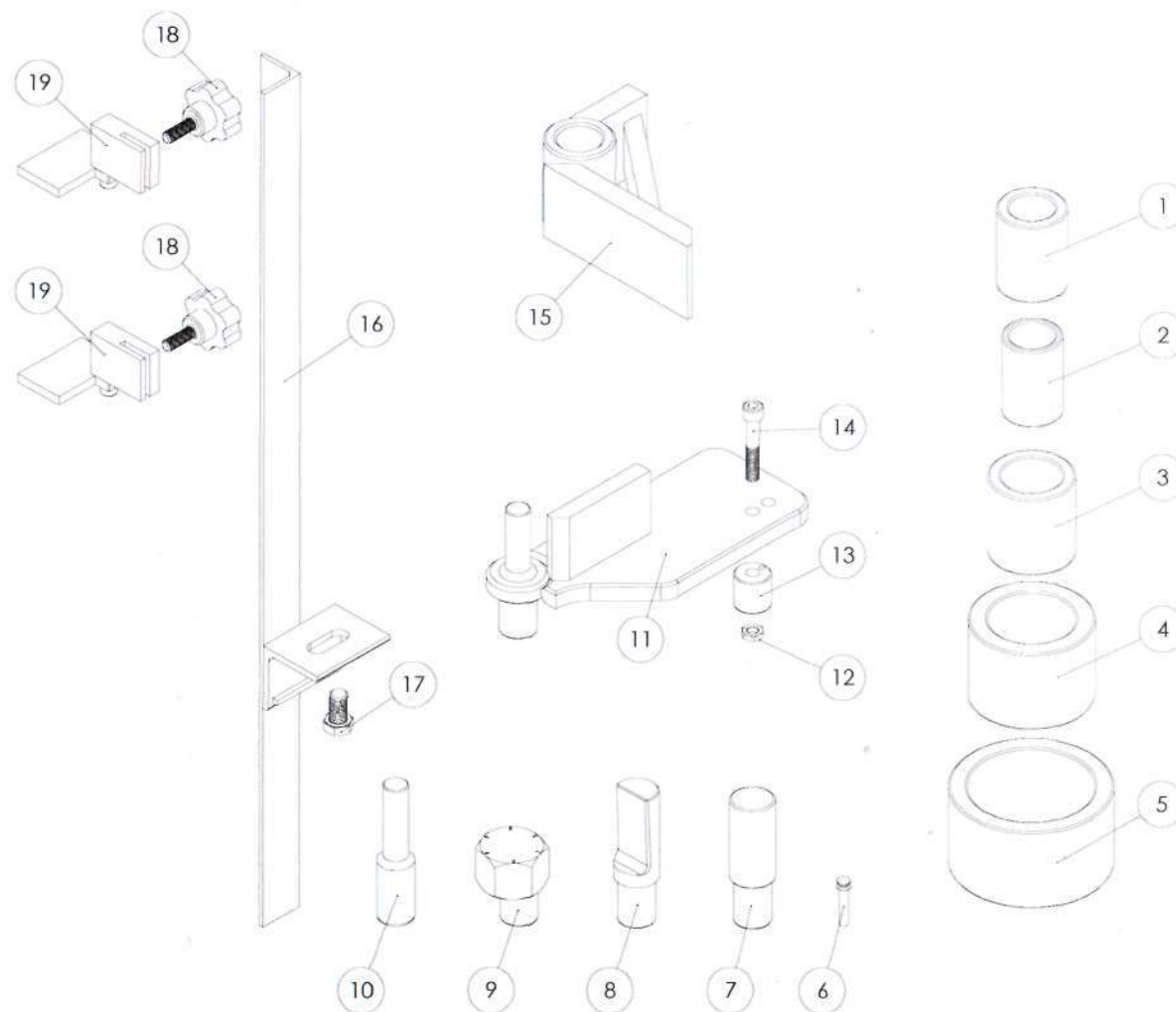


**PF28 ; PF32
 COMPONENTS**

Des. **12490**

Date: **30.8.10**

Ref.	Code	Description	Qt	Des	Kg
1	400143	BENDING BUSH Ø56	1	10669	0.81
2	400141	BENDING BUSH Ø48	1	10655	0.44
3	400142	BENDING BUSH Ø69	1	10666	1.09
4	400144	BENDING BUSH Ø100	1	10667	2.34
5	400144/1	BENDING BUSH Ø130	1	10668	3.09
6	400169/1	INVERSION PIN	1	10640	0.02
7	400145	BENDING PIN Ø36	1	10665	0.80
8	400189	STIRRUP BENDING PIN	1	11286	0.68
9	400521	SQUARE EXAGON	1	10691	0.76
10	400125/1	CENTRAL PIN Ø20	1	11098	0.48
11	400183/2	STIRRUP TOOL - 10	1	11042	4.1
12	5021002	NUT M10 SP=6	1		0.006
13	400180/1	PIN FIXING STIRRUPS TOOL	1	11047	0.14
14	5011017	SCREW TCE 10X60	1		0.05
15	400148	BENDING SQUARE	1	10692	3.90
16	400165/1	STOP BAR	1	11081	2.38
17	5011402	SCREW TE 14X25	1		0.052
18	5330001	HANDLE	2	-	0.29
19	400292	STOPPER SET	2	12653	0.53



PER ORDINARE I RICAMBI: A) MODELLO MACCHINA - B) NUMERO TAVOLA - C) NUMERO CODICE
HOW TO ORDER: A) MACHINE MODEL - B) TABLE NUMBER - C) CODE NUMBER

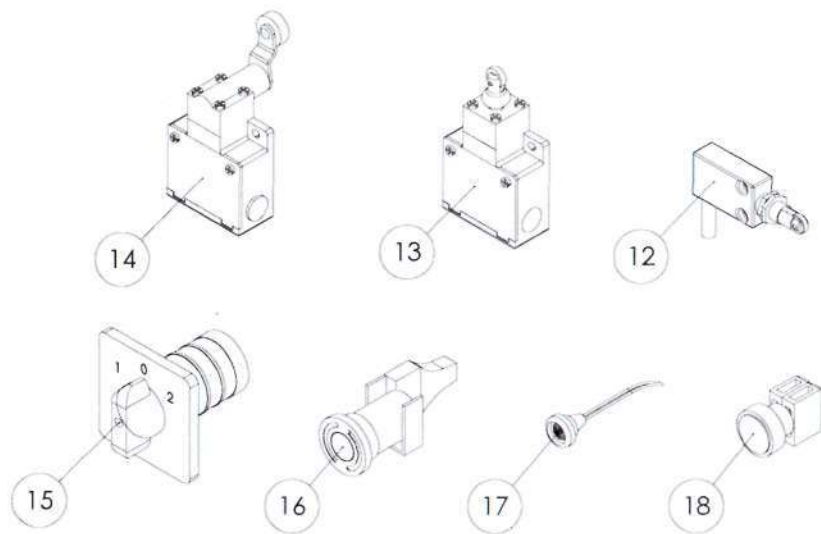
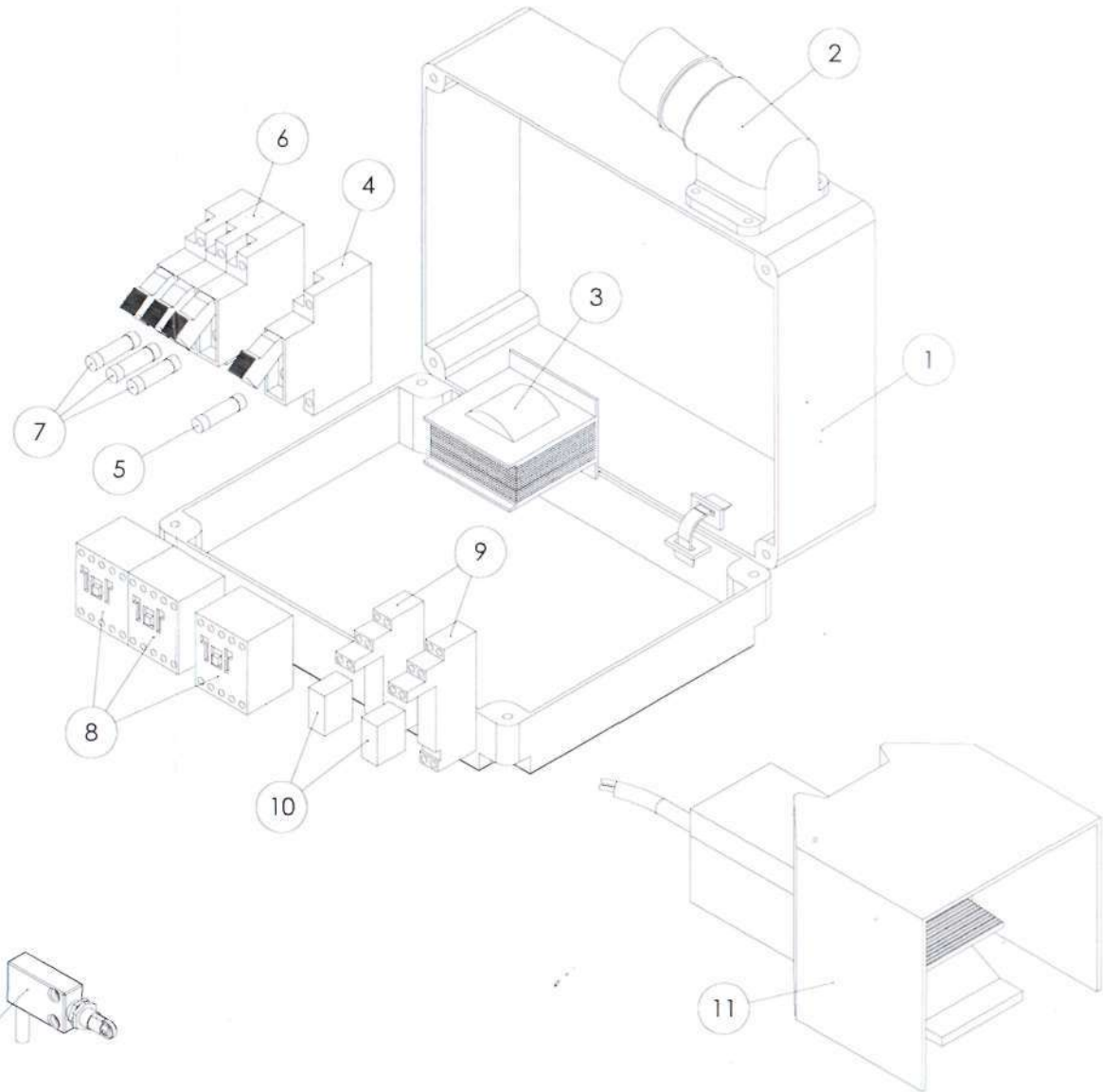
TECMOR

**PF28 ; PF32 ; PFT32/26
ACCESSORIES**

Des. **12491**

Date: **21.10.11**

Ref	Code	Description	Qt	Kg
1	5350244	EMPTY BOX PLANT	1	2.01
2	5350003	THREEPHASE WALL PLUG 3x16A	1	0.52
3	5350005	TRANSFORMER 50 VA	1	1.57
4	5350012	POLE FUSE HOLDER	1	0.20
5	5350032	FUSE 4A/GL	1	0.006
6	5350011	THREE POLE FUSE HOLDER	1	0.6
7	5350033	FUSE 20A/AM	3	0.006
8	5350009	ELECTRIC SWITCH KW 5,5 NC	3	0.20
9	5350131	BASE FOR RELAIS START	2	0.11
10	5350123	RELAIS START 24V AC	2	0.02
11	5350132	METAL FOOT PEDAL with CABLE	1	2.20
12	5350090	PROTECTION LIMIT SWITCH	1	0.06
13	5350030	STOP LIMIT SWITCH	1	0.21
14	5350031	RETURN LIMIT-SWITCH	1	0.25
15	5350029	REVERSE SWITCH 3x16A	1	0.27
16	5350019	EMERGENCY STOP SWITCH	1	0.10
17	5350045	LAMP	1	0.01
18	5350020	RETURN SWITCH (black)	1	0.02



PER ORDINARE I RICAMBI: A) MATRICOLA MACCHINA - B) NUMERO TAVOLA - C) NUMERO CODICE
 HOW TO ORDER: A) MACHINE NUMBER - B) TABLE NUMBER - C) CODE NUMBER

TECMOR

Electrical
equipment
three-phase

PFT32/26 ; PFT32/26-N
 PFT26/24
 PF32 ; PF32-N
 PF28

Des. **12583**

Date: **6.9.10**